

## OSTER A5 SINGLE and TWO SPEED CLIPPER

Model A5-75 Single Speed Clipper (Black)

Model A5-70 Two Speed Clipper (Burgundy)

### SPARE PARTS PRICE LIST

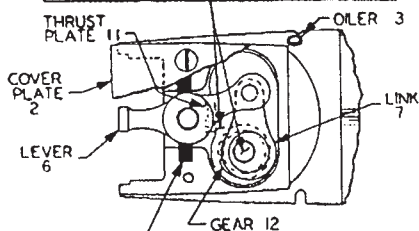
2010

Service # 5-75J 5-75K 5-75L 5-70J 5-70K 5-70L

NOTE: NUMBERS SHOWN ON DRAWING ARE INDEX NUMBERS ONLY. ORDER PARTS BY CORRECT PART NUMBER.

VIEW 1

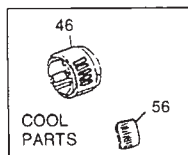
BEFORE ASSEMBLY OF GEAR (12), FILL GEAR STUD WITH GREASE (74). GREASE MUST SQUIRT OUT OF BOTH HOLES IN STUD AND LEAVE STUD FULL OF GREASE. AFTER ASSEMBLY OF GEAR (12) TO STUD, INJECT APPROXIMATELY 2.5 GRAMS (1/2 TEASPOON) OF GREASE (74) BETWEEN GEAR (12) AND THRUST PLATE (11). A PORTION OF THIS GREASE MUST BE ON CAM AREA OF GEAR (12).



AFTER ASSEMBLY OF LEVER (6) AND GREASE SEALS (8), THOROUGHLY SATURATE GREASE SEALS WITH CLIPPER OIL.

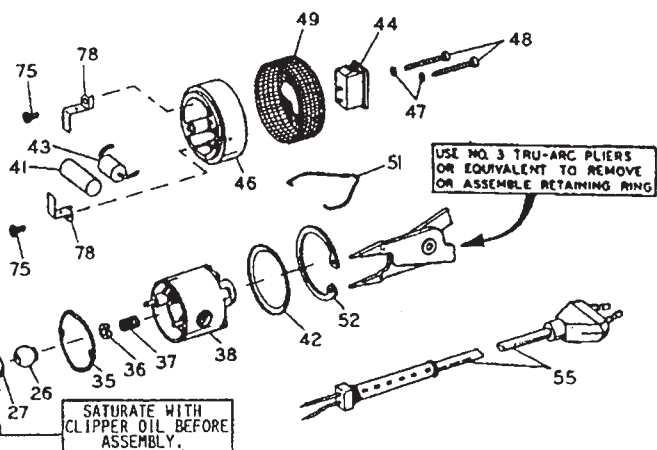
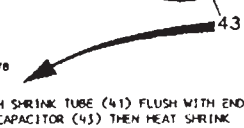
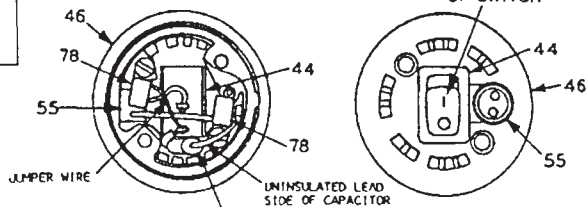
USE A SMALL AMOUNT OF CLIPPER GREASE TO HOLD BALL (#30) TO SHAFT DURING ASSEMBLY.

SATURATE WITH CLIPPER OIL BEFORE ASSEMBLY.



END CAP SHOWN ASSEMBLED - FOR REFERENCE ONLY -

NOTE ORIENTATION OF SWITCH



EXAMPLE:

28 29 THE COMPONENT PARTS (SMALL INDEX NO.'S) ARE INCLUDED WHEN ORDERING THE ASSEMBLY PART (LARGE INDEX NO.)

INDEX NUMBER	PART NUMBER	DESCRIPTION	BASIC PARTS	A5-70 TWO SPEED	A5-75 SINGLE SPEED	RECOM. RETAIL PRICE (EACH) GST INCLUSIVE
1	41664	Screw	2			\$ 0.70
2	84915	Cover Plate		1		\$ 5.00
2	84914	Cover Plate			1	\$ 5.00
3	41676	Oiler	1			\$ 8.75
4	42563	Wick-Oil	1			\$ 0.70
6	44946	Lever	1			\$ 5.00
7	45515	Link	1			\$ 4.25
8	41723	Seal-Grease	2			\$ 0.70
9	55168	Cap-Brush-Black			2	\$ 4.25
9	55168-005	Cap-Brush-Burgundy		2		\$ 4.25
10	42584-025	Brush/Spring Assembly	1 set			\$ 12.00
11	42566	Plate-Thrust	1			\$ 0.70
12	42881	Gear-Fibre			1	\$ 32.50
12	58170	Gear-Helical Cam		1		\$ 32.50

INDEX NUMBER	PART NUMBER	DESCRIPTION	BASIC PARTS	A5-70 TWO SPEED	A5-75 SINGLE SPEED	RECOM. RETAIL PRICE (EACH) GST INCLUSIVE
13	57022	Housing-Black			1	\$ 50.00
13	57022-005	Housing-Burgundy		1		\$ 50.00
14	58453	Washer	1			\$ 1.30
15	44941	Hinge Assembly	1			\$ 14.00
16	41665	Screw	2			\$ 0.70
17	45588	Plastic Blade Guard	1			\$ 1.90
20	42571	Blade Guide	1			\$ 1.40
22	42556	Socket	1			\$ 5.00
22a	45501	Spring Tension	1			\$ 5.00
25	42555	Blade Screw	2			\$ 0.70
26	57070	Bearing-Sintered Bronze	2			\$ 2.20
27	42568	Washer-Felt	2			\$ 1.00
29a	58519	Retainer-Bearing	2			\$ 1.00
30	41719	Ball	2			\$ 0.70
31	42872	Screw	2			\$ 0.70
32	84906-005	Armature & Fan Assembly			1	\$ 66.00
32	84906	Armature & Fan Assembly		1		\$ 66.00
33	84907	Field Assembly	1			\$ 70.00
34	44938	Latch	1			\$ 2.65
35	42557	Ring-Locating	1			\$ 1.50
36	42559	Cup-Thrust	1			\$ 3.05
37	42562	Spring-Thrust	1			\$ 0.70
38	84175-200	Motor End Frame Assembly	1			\$ 30.00
39	58361	Strip-Ground	1			\$ 3.30
40	58482	Tube-Shrink	1			\$ 0.70
41	58483	Tube-Shrink	1			\$ 0.70
42	42570	Cup-Retaining	1			\$ 1.00
43	58354	Capacitor	1			\$ 9.75
44	58357	Switch-Rocker			1	\$ 19.75
44	58358-005	Switch		1		\$ 29.95
46	84177-110	End Cap-Black			1	\$ 29.95
46	84177-115	End Cap-Burgundy		1		\$ 29.95
47	41756	Lockwasher	2			\$ 0.70
48	58788	Screw	1			\$ 1.65
50	42614	Retaining Brush	2			\$ 4.40
51	42573	Bale	1			\$ 3.95
55	84940	Cord & Plug Assembly	1			\$ 38.50
56	84176-010	Screen-Black			2	\$ 5.00
56	84176-015	Screen-Burgundy		2		\$ 5.00
62	42564	Screw	2			\$ 0.70
75	44945	Screw	2			\$ 2.65
76	41738	Lockwasher	2			\$ 0.70
78	58355	Terminal Bracket	2			\$ 1.40
79	58654	Diode		1		\$ 3.10
80	57069	Variator	1			\$ 3.10
81	58975	Screw	2			\$ 0.70

**BOTANY BAY IMPORTS EXPORTS PTY LTD**

PO Box 260 Botany NSW 1455 Phone: 02 9700 0800 Fax: 02 9700 1171  
Email: info@botanybayimports.com.au Website: www.botanybayimports.com.au