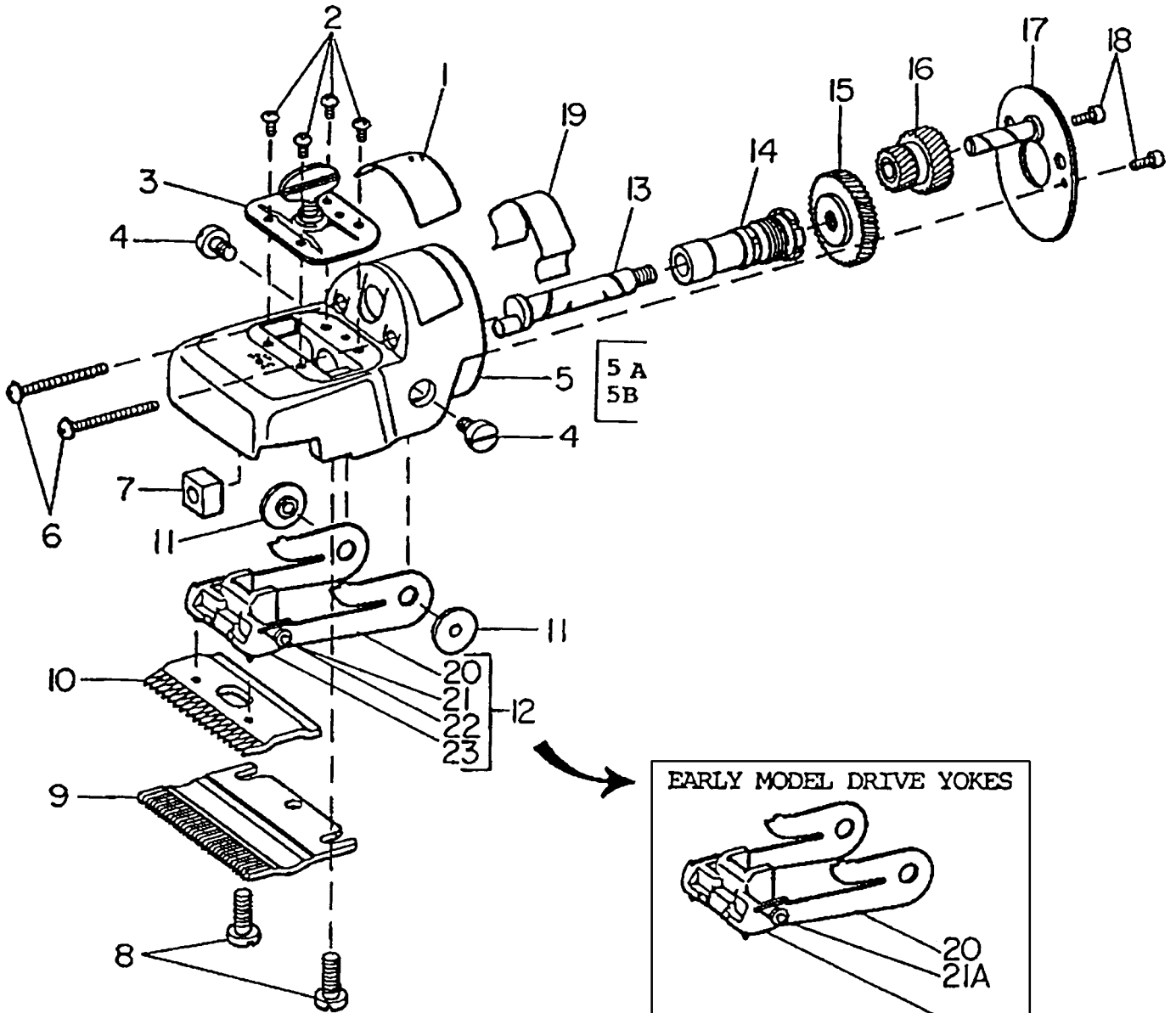


Oster Clipper Head
Model 510a + 610a



NOTE: NUMBERS SHOWN ON DRAWING ARE INDEX NUMBERS ONLY. ORDER PARTS BY CORRECT PART NUMBER.

EARLY MODEL DRIVE YOKES

NOTE 1 *
ON EARLY MODELS 510A & 610A, DRIVE YOKES USED RIVET, (21A), WITHOUT WASHER, (22). USE THIS RIVET (21A) ONLY ON DRIVE YOKES THAT DO NOT REQUIRE WASHER.

